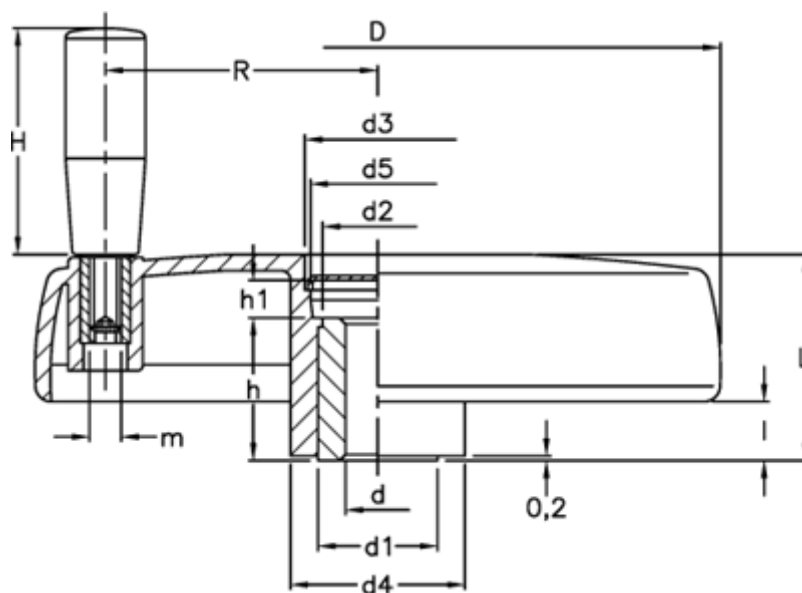


Article number: 2301072851

Description: E+G Handwheel
VDS.200+I-A20

Measures



C (N m) = 320	H = 90
D = 200	h = 36
d1 = 40	h1 = 13
d2 = 38.0	l = 14
d3 = 44.0	L = 53
d4 = 50	L (J) = 27
d5 = 40	m = M10
d H7 = 20	R = 81.0